

■ LT

LT Series Aluminum Elect

Feature

- * : 105 2000
Load life:105 2000 hours.
- *
Wide operating temperature rang
- * RoHS
Compliant to the RoHS Directive.

Application

- *
Ideally suited for switching po

Part Number

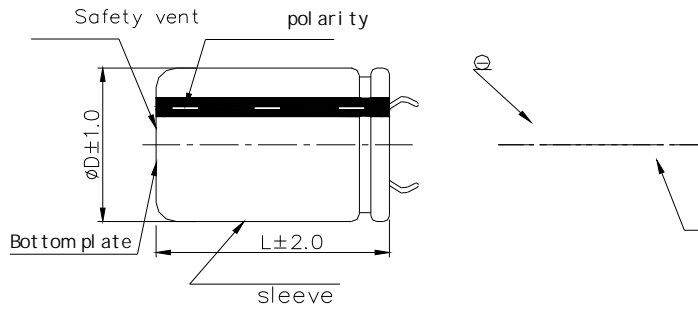
8
 2
2
1
 M
C

Code	Type
8	Product

Code	Voltage
LB	10
LC	16
LD	25
LE	35
LF	50
MB	160
MC	200
MD	250
MF	350
VA	400
VB	450
VC	500
VD	525

Code	Nominal Capacitance
221	220uF
222	2200uF
223	22000uF

Product Structure



Surge Voltage	(V) Rated working voltage	10	16	25	35	50	63	80	100	160	200	250	350	400	450
	(V) Surge voltage	13	20	32	44	63	79	100	125	200	250	300	400	450	500
Temperature Stability	(V) Rated working voltage	10~100		160~250		350~450									
	(120Hz) Impedance Ratio	z-25 /z+25		3		3		8							
Load life	+105 2000 ,														
	<p>After application of rated working voltage with max permissible ripple current specified at +105 for 2000 hours, capacitors meet the characteristics requirements measured at +20 listed at below:</p> <p>1 :±20% Capacitance change : ±20% initial measured value</p> <p>2 : Leakage current: initial specified value</p> <p>3 200% Dissipation factor: 200% initial specified value</p>														
Shelf life	+105 1000 , JIS-C-5101-4 30min,, 24 48 :														
	<p>After leaving capacitors under no load at +105 for 1000 hours, According to JIS-C-5101-4, apply the rated DC voltage for 30 minutes and store the capacitors under room temperature for 24-48 hours. The capacitors meet the characteristics listed as below:</p> <p>1 :±20% Capacitance change : ±20% initial measured value</p> <p>2 : 200% Leakage current: 200% initial specified value</p> <p>3 200% Dissipation factor: 200% initial specified value</p>														

Dimensions and ripple current and frequency coefficient
Ripple current frequency coefficient

Freq(Hz) WV(V)	50	60	120	1K	10K
10~100	0.88	0.90	1.00	1.10	1.15
160~250	0.80	0.80	1.00	1.14	1.18
350~450	0.78	0.80	1.00	1.10	1.15

Dimensions and ripple current

WV/V Cap/ μ F	10		16		25		35		50		63		80		100		
	(1)	(2)	(1)	(2)	(1)	(2)	(1)	(2)	(1)	(2)	(1)	(2)	(1)	(2)	(1)	(2)	
470																22x25	0.95
560																22x30	1.00
680																22x30 25x25	1.09
820																25x30	1.20
1000											22x25	1.10	22x25	1.19	25x30	1.47	
1200											22x30	1.20	25x25	1.30	22x40	1.50	
1500											22x30 25x25	1.38	22x30 25x25	1.59	22x45 25x40	1.89	
1800											25x30	1.50	25x30	1.80	25x45	2.10	
2200									22x30 25x25	1.46	22x35 25x30	1.66	22x40 25x35	2.01	25x50 30x40	2.48	
2700									22x30 22x35	1.40 1.50	25x35	1.80	25x40	2.20	30x45	2.70	
3300							22x25	1.54	22x35 25x30	1.72	25x35 30x30	2.15	25x45 30x35	2.50	30x50 35x45	3.25	
3900							22x30	1.60	25x30	1.80	30x35	2.40	30x40	2.80	35x50	3.50	

WV/V	160		200		250		350		400	450
Cap/ μ F	(1)	(2)	(1)	(2)	(1)	(2)	(1)	(2)	:	